



**SPIERINGS  
KRANEN**

Mark: **SPIERINGS** Typ: **SK365-AT3**

**Crane identification**

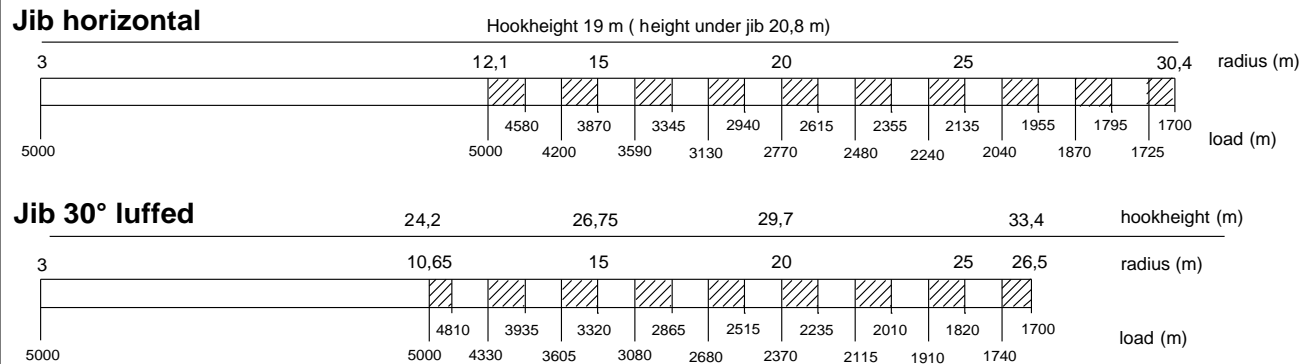
Serial number: <input type="text"/>	Crane group : 3 as per NEN 2018 Loadspectrum : 2 as per NEN 2018 Classification : A as per NEN 2018 Stability : as per NEN 2022	Identification- number <b>57 tm</b>	Max. load <b>5,0 tonne</b>	Max.radius with max. load <b>12,1 m</b>	Max. capacity <b>60 tm</b>	Max. jib lenght <b>30,4 m</b>
Year of construction: _____						

**Speeds**

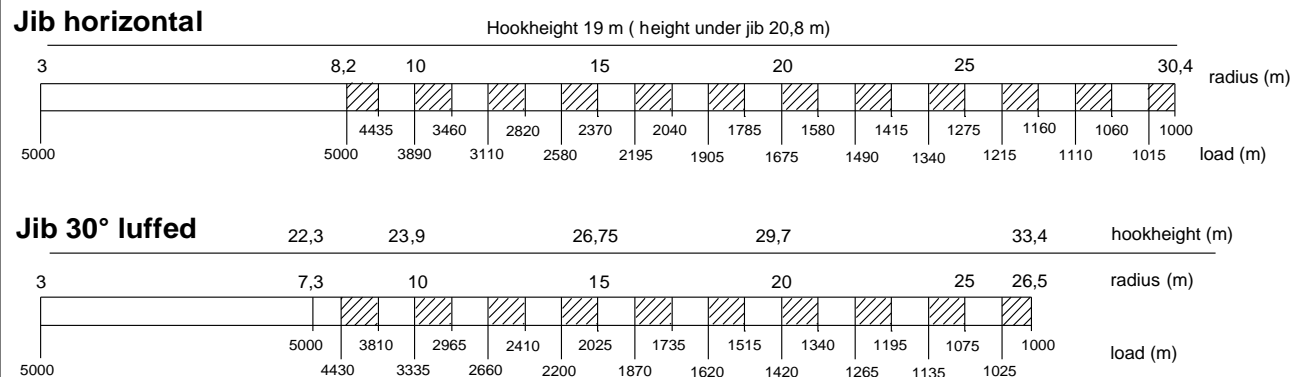
Jib horizontal / jib 30° luffed	
	m/min   kg
	15   5000
	22   2500
	30   1700
	50   0
	0 - 50 m/min
	0 - 1,3 rpm

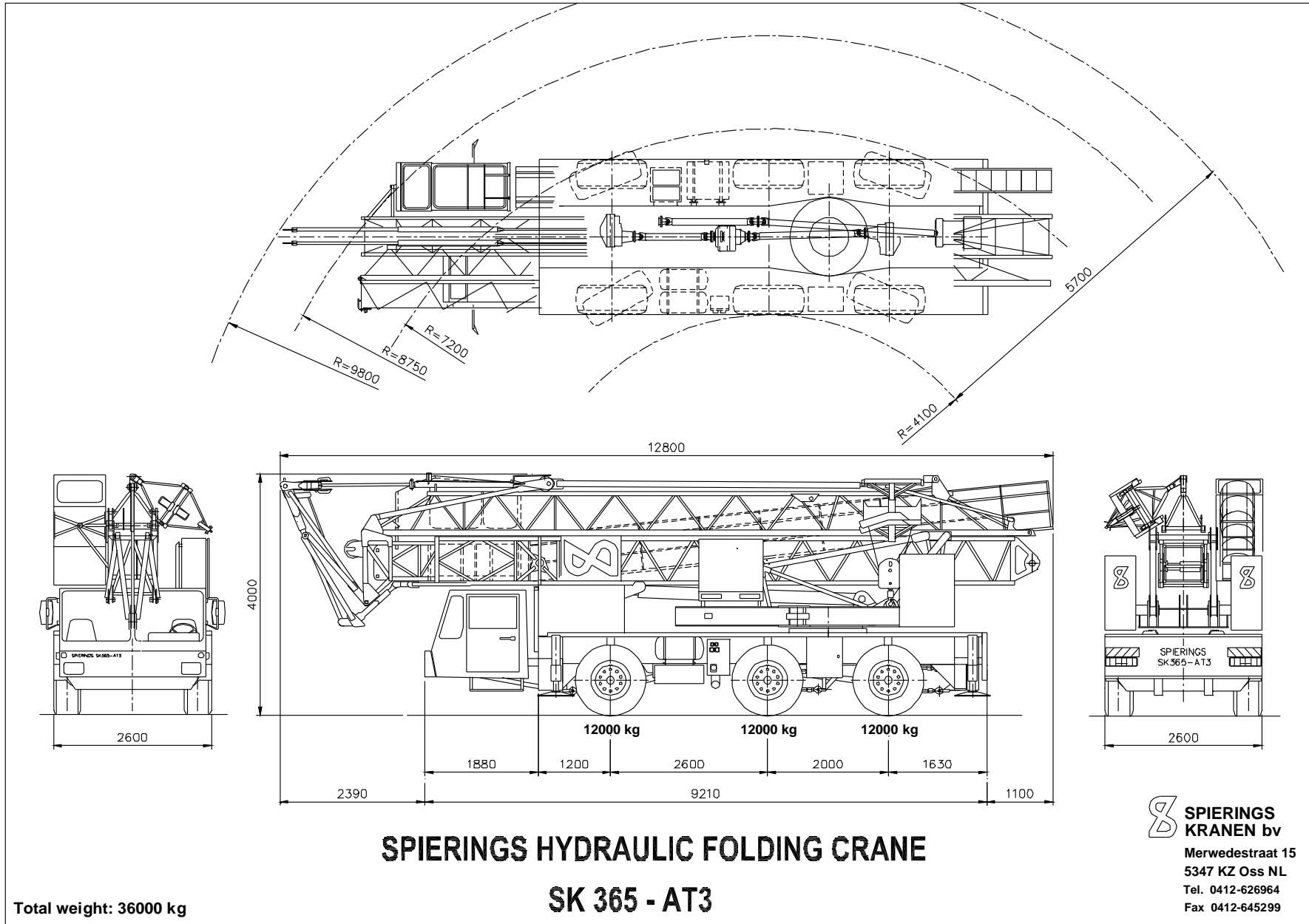
All motions with hydraulic proportional controls  
Luffing the Jib 30° can be controlled from crane cab or via remote control  
Driving with erected tower and jib, only with the jib horizontal and positioned over the front carriage, platform locked to the carrier and the outriggers fully extended (max. inclination 2°)  
Rated lifting capacity is net capacity  
Crane equipped with full counterweight: 7080 kg  
360° continuous slewing, with outriggers out and down  
2 Outriggers positons: 6,90 x 5,80 m  
6,90 x 4,20 m  
Operation allowed up to a windforce of 8 on the Beaufortscale. (wind speed 20 m/sec.)  
Sail area of the load max. 1,0 m<sup>2</sup> / tonne at a windforce of 8 on the Beaufortscale.  
Operating temperature range from -15° to 40° C.  
In all cases 2 parts of line  
Max. line pull force 2500 kg  
The crane should be folded in at a windforce >9 (21m/sec) or when not in use for a longer period

**LIFTING CHART Outrigger spread 6,90 m x 5,80 m**

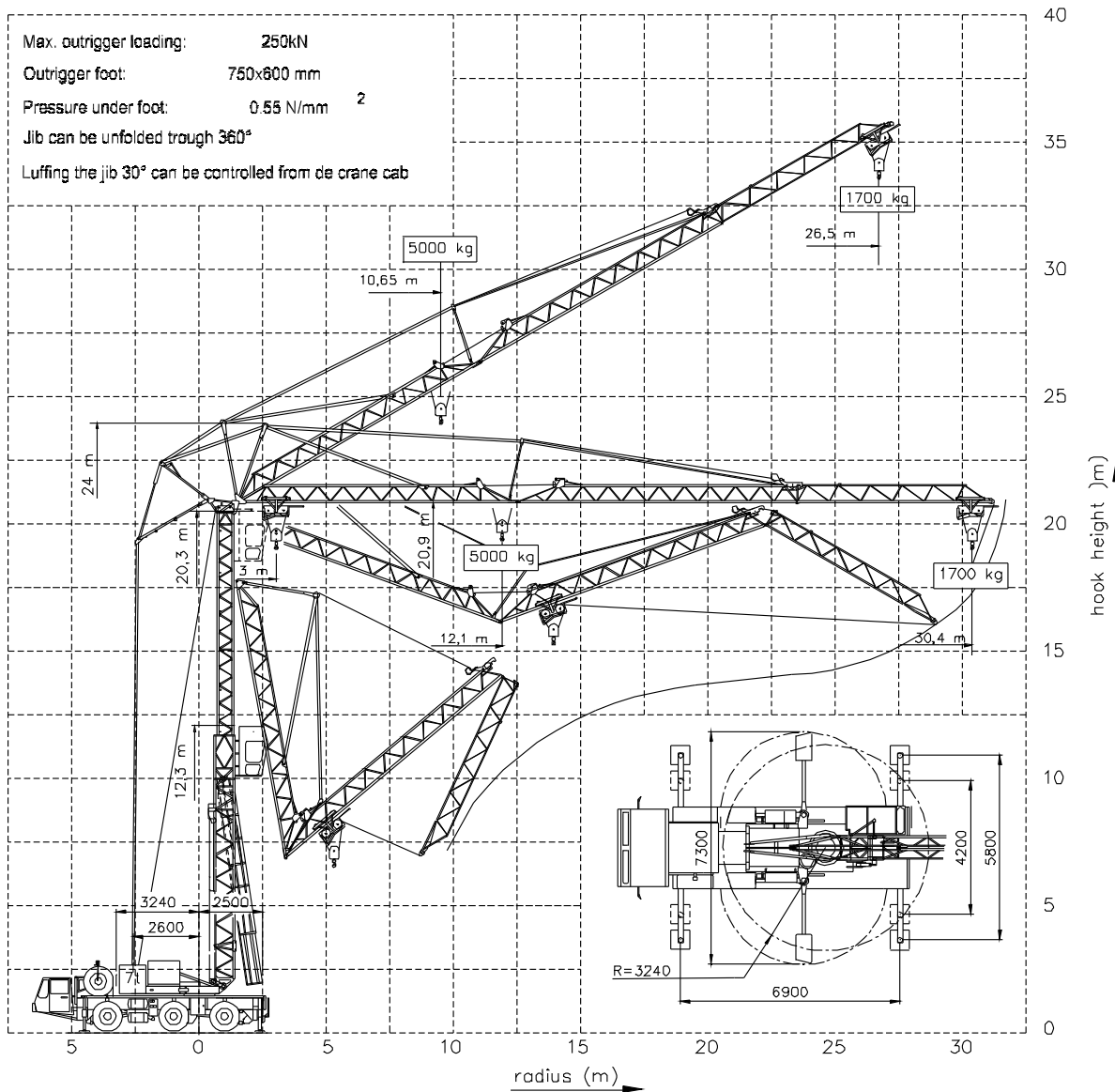


**LIFTING CHART Outrigger spread 6,90 m x 4,20 m**





Max. outrigger loading: 250kN  
 Outrigger foot: 750x600 mm  
 Pressure under foot: 0.55 N/mm<sup>2</sup>  
 Jib can be unfolded trough 360°  
 Luffing the jib 30° can be controlled from de crane cab



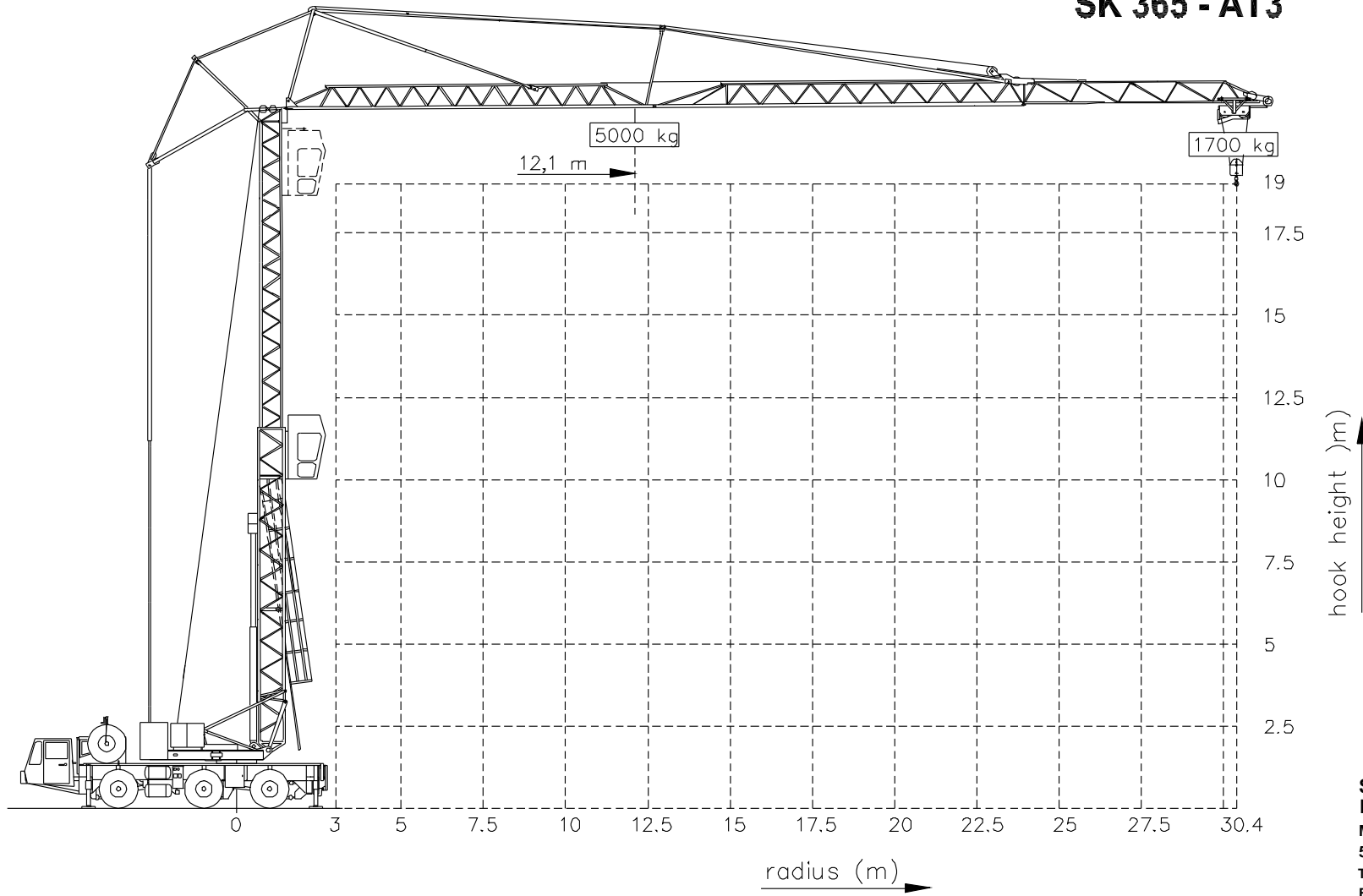
# SPIERINGS HYDRAULIC FOLDING CRANE SK 365 - AT3



**SPIERINGS  
KRANEN bv**  
 Merwedestraat 15  
 5347 KZ Oss NL  
 Tel. 0412-626964  
 Fax 0412-645299

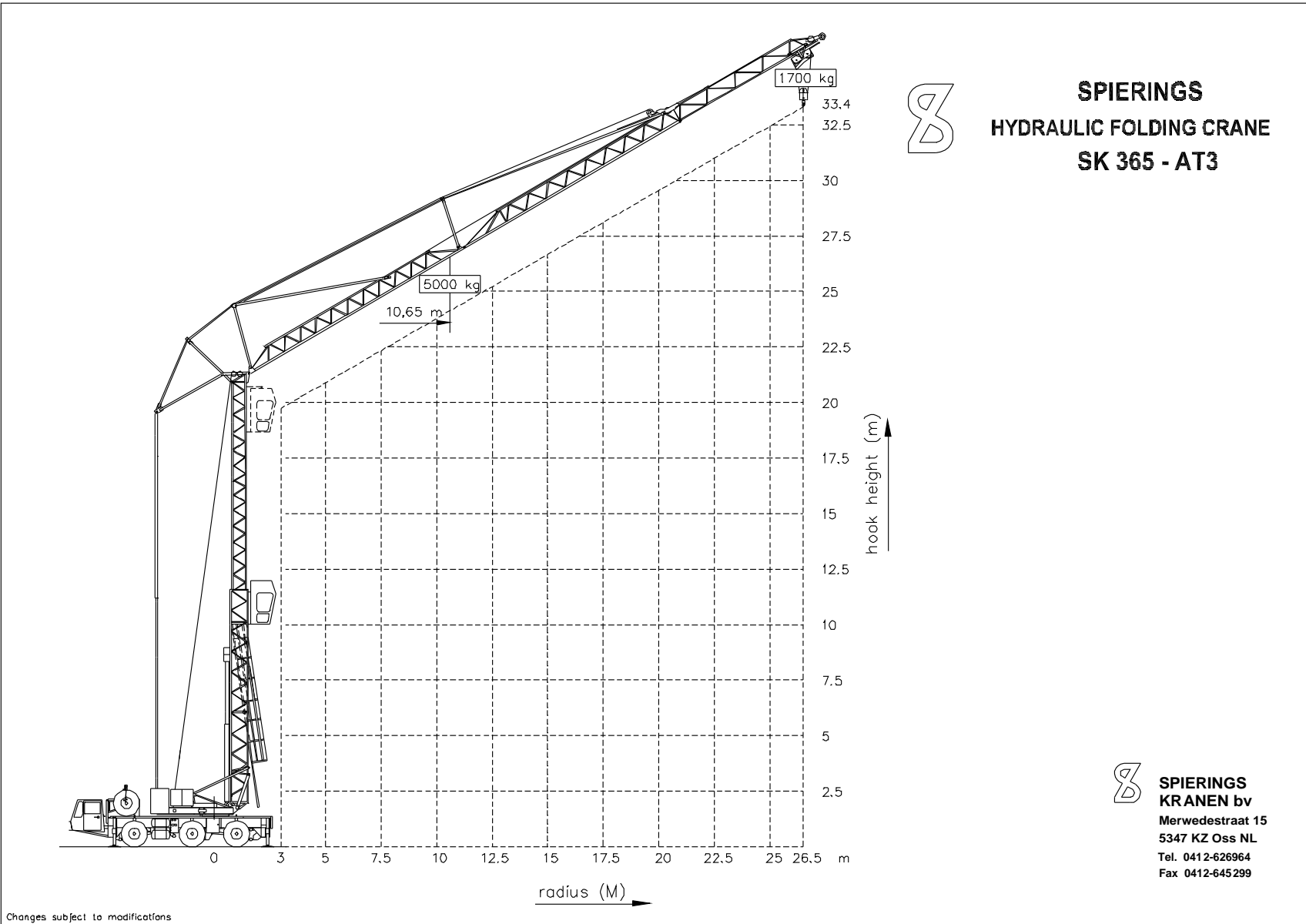


**SPIERINGS**  
**HYDRAULIC FOLDING CRANE**  
**SK 365 - AT3**



Changes subject to modifications

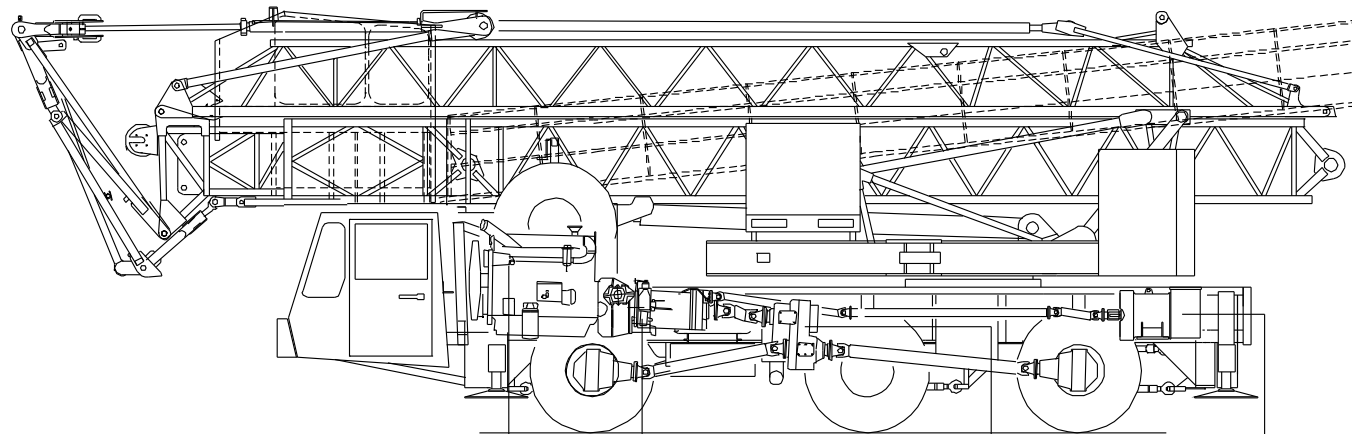
**SPIERINGS**  
**KRANEN bv**  
Merwedestraat 15  
5347 KZ Oss NL  
Tel. 0412-626964  
Fax 0412-645299



Changes subject to modifications

**SPIERINGS**  
**KRANEN bv**  
 Merwedestraat 15  
 5347 KZ Oss NL  
 Tel. 0412-626964  
 Fax 0412-645299

## Drive train SPIERINGS SK365-AT3



Motor:  
DAF RS 222 L (8,65 ltr.)  
Power: 222 Kw (2300 rpm)  
Torque: 1130 Nm (1400 rpm)

Axle 1

Gearbox ZF 9S109  
Manually operated with air power ass.  
+ dry plate clutch

Axle 2

Axle 3

Transfer case;  
STEYR VG1600/300  
Road gear  $i=1:0,89$   
Off-road gear  $i=1:1,54$

Generator;  
LSA 44.1M3 - 75kVA

Axles 1 and 3 : GINAF axle with DAF differential and DAF end reduction

Axle 2 : GINAF axle, not driven

Suspension: hydro-pneumatic on all axles, stroke ram 160 mm

Max. speed carrier : 80 km/h

Min speed carrier (diesel engine 1000 rpm) : 1,7 km/h

SPIERINGS FOLDING CRANE  
Type SK365-AT3

subject to modifications



Merwedestraat 15  
5347 KZ Oss NL  
Tel. 0412-626964  
Fax 0412-645299