



**SPIERINGS  
KRANEN**

Mark: **SPIERINGS** Type: **SK598-AT5**

**Crane identification**

Serial number: <input type="text"/>	Crane group : 3 as per NEN 2018	Identification-number	Max. load	Max. radius with max. load	Max. capacity	Max. jiblength
Year of construction: <input type="text"/>	Loadspectrum : 2 as per NEN 2018	<b>92 tm</b>	<b>8,0 tonne</b>	<b>12,8 m</b>	<b>103 tm</b>	<b>48 m</b>
	Classification : A as per NEN 2018					
	Stability : as per NEN 2022					

**Speeds**

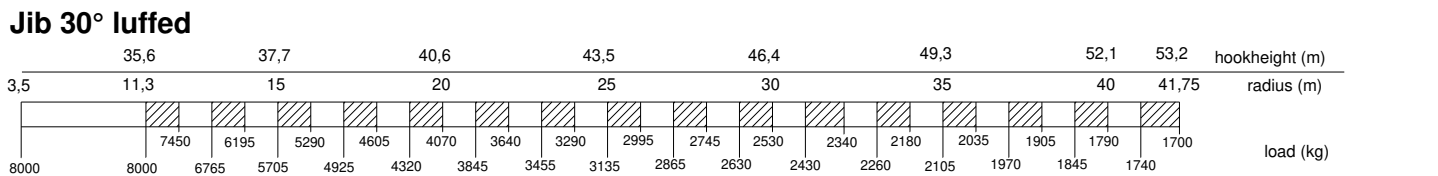
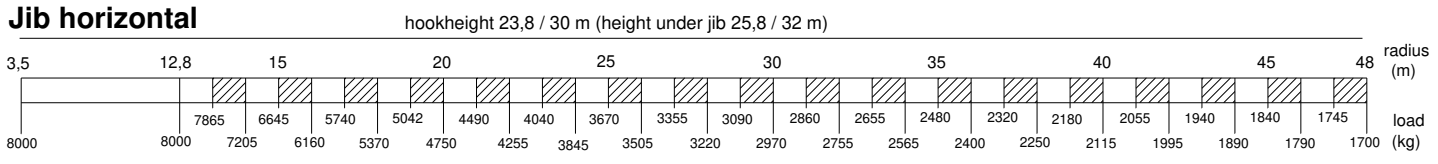
**LIFTING CHART Outrigger spread 7,20 m x 7,20 m**

Jib horizontal / jib 30° luffed

	m/min	kg
	20	8000
	30	4000
	45	2000
	75	0

0 - 70 m/min

0-0,8 rpm



All motions with hydraulic proportional controls

Luffing the jib 30° can be controlled from crane cab or via remote control

Driving with erected tower and jib, only with the jib horizontal and positioned over the front carriage, platform locked to the carrier and the outriggers fully extended (max. inclination 2°)

Rated lifting capacity is net capacity

Crane equipped with full counterweight: 8700 kg

360° continuous slewing, with outriggers out and down

2 Outriggers positions: 7,20 x 7,20 m  
7,20 x 5,65 m

Operation allowed up to a windforce of 8 on the Beaufortscale. (wind speed 20 m/sec.)

Sail area of the load max. 1,0 m<sup>2</sup> / tonne at a windforce of 8 on the Beaufortscale.

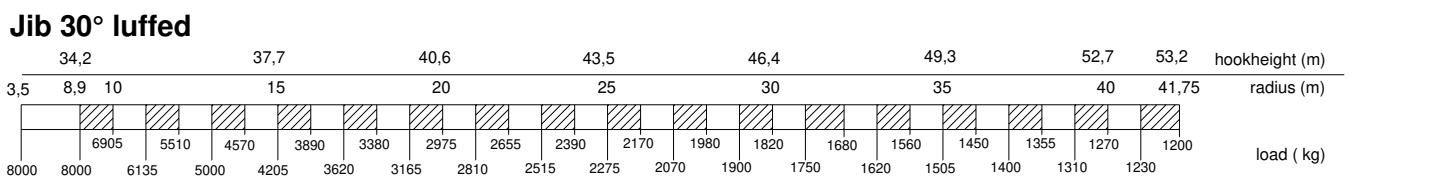
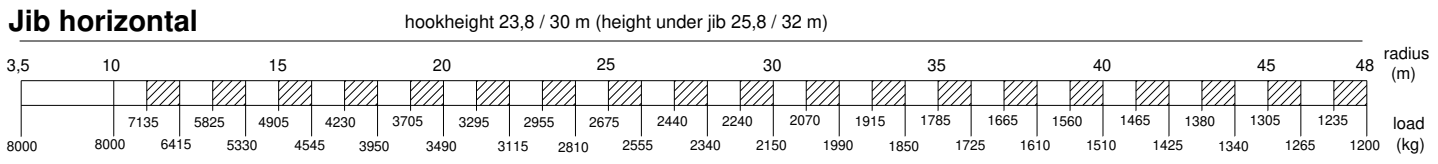
Operating temperature range from -15° to 40° C.

In all cases 2 parts of line

Max. line pull force 4000 kg

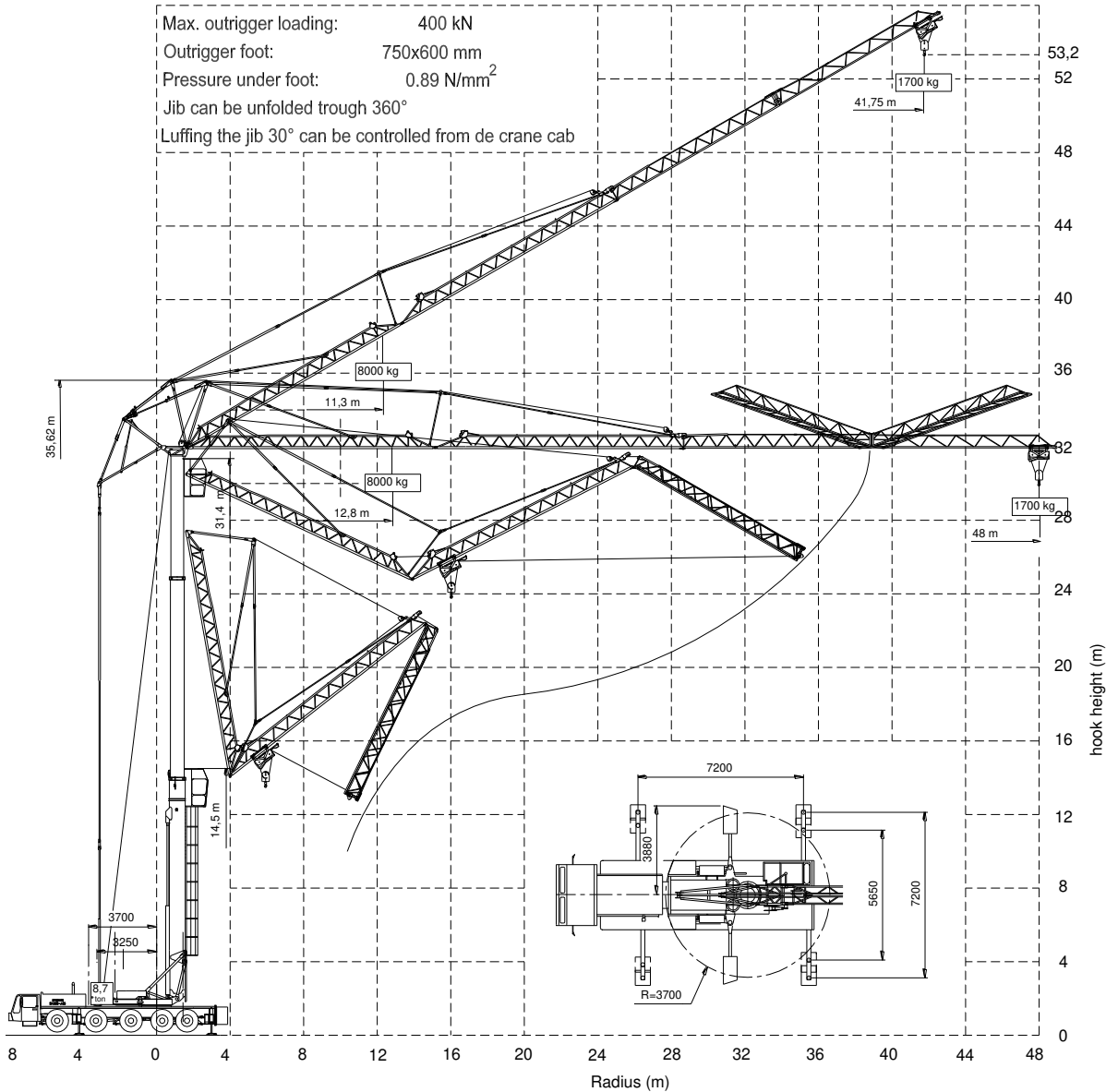
The crane should be folded in at a windforce >10 (24m/sec) or when not in use for a longer period

**LIFTING CHART Outrigger spread 7,20 m x 5,65 m**





# SPIERINGS HYDRAULIC FOLDING CRANE SK 598 - AT5

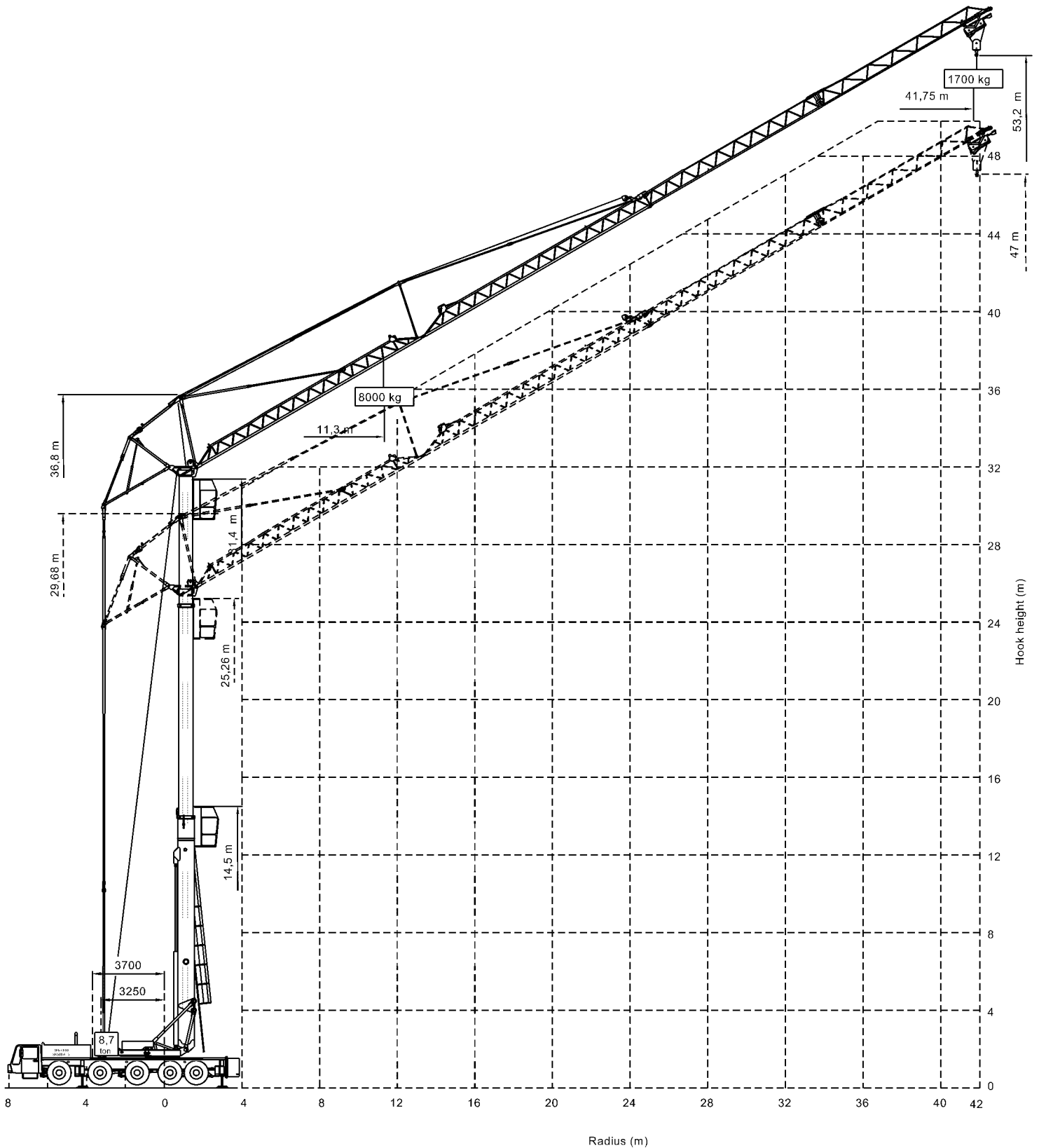


Changes subject to modifications

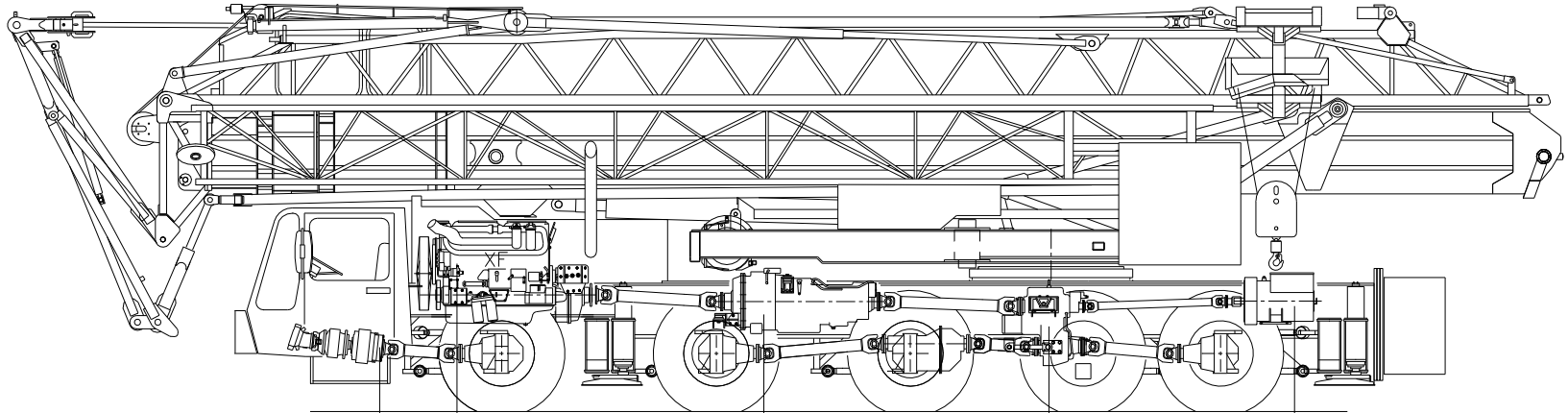
**SPIERINGS  
KRAMEN bv**  
 Merwedestraat 15  
 5347 KZ Oss NL  
 Tel. 0412-626964  
 Fax 0412-645299



**SPIERINGS  
HYDRAULIC FOLDING CRANE  
SK 598 - AT5**



## Drive train SPIERINGS SK598-AT5



Hydraulic front axle drive  
HYAUDINE hydro-adj. motor A6VM  
BREVINI planetary gearbox:  
ED 2090 FE / 14,3

Axle 1  
Axle 2

Diesel engine :  
DAF XF 315M  
Power: 315 Kw (2000 rpm)  
Torque: 1900 Nm (1050 rpm)

Axle 3

Gearbox  
ZF 16S221 + WSK400  
Manually operated with air power ass.  
+ Dry plate clutch  
+ interarder

Axle 4  
Axle 5

Transfercase  
STEYR VG2001/396  
Road gear  $i=1,0,89$   
Off-road gear  $i=1,1,54$

Generator;  
LSA 44.1M4 - 85kVA

Axles 1,2,3 and 5 : GINAF axles with DAF drive components  
Axle 4 : GINAF axle, not driven  
Suspension: Hydro-pneumatic on all axles, stroke ram 210 mm  
Max. speed carrier : 80 km/h  
Min. speed carrier (engine speed 1000 rpm) : 1,6 km/h

## SPIERINGS HYDRAULIC FOLDING CRANE Typ SK598-AT5


**SPIERINGS  
KRANEN** bv  
 Merwedestraat 15  
 5347 KZ Oss NL  
 Tel. 0412-626964  
 Fax 0412-645299

subject to modifications