



Operation allowed up to wind force 7 Bf (14 m/sec).
 The crane should be folded in at wind force 9 Bf (21 m/sec)
 or when not in use for a longer period
 Counterweight crane: 8704 kg.
 Max. outrigger force: 360 kN.

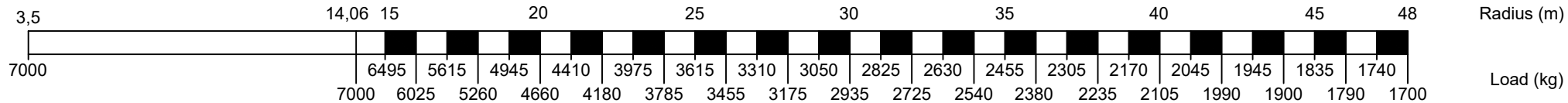
Serial number:

Year of construction:

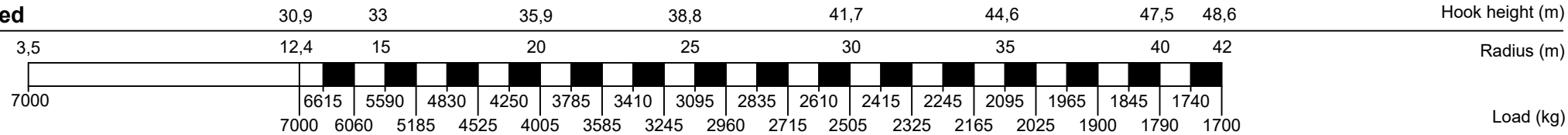
Lifting chart outrigger support base 6,925 m x 7,0 m

Jib horizontal

Height under the jib 26,9 / 29,7 m



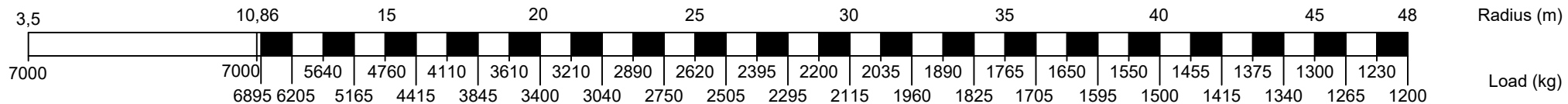
Jib 30° luffed



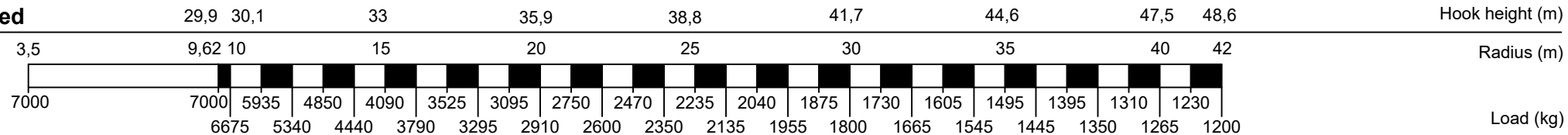
Lifting chart outrigger support base 6,925 m x 5,85 m

Jib horizontal

Height under the jib 26,9 / 29,7 m



Jib 30° luffed



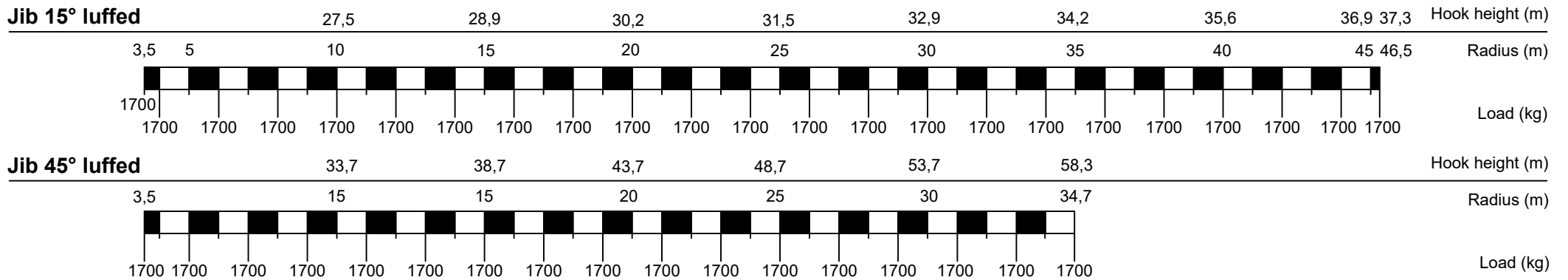


Operation allowed up to wind force 7 Bf (14 m/sec).
The crane should be folded in at wind force 9 Bf (21 m/sec)
or when not in use for a longer period
Counterweight crane: 8704 kg.
Max. outrigger force: 360 kN.

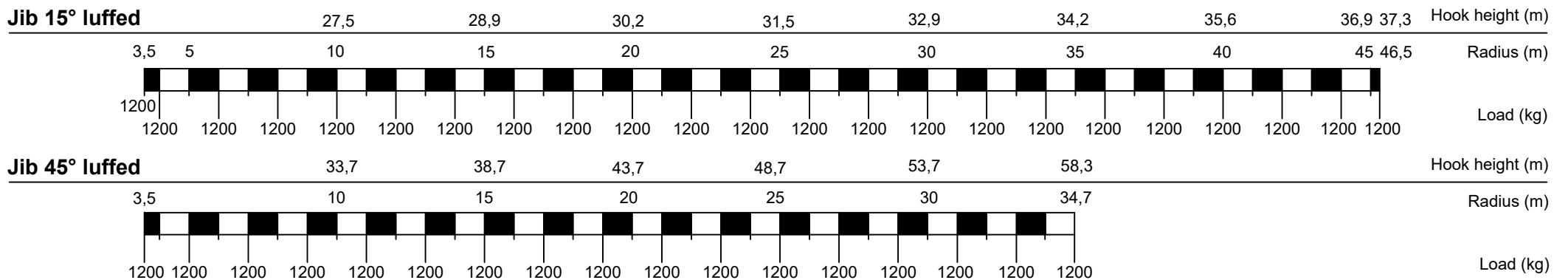
Serial number:

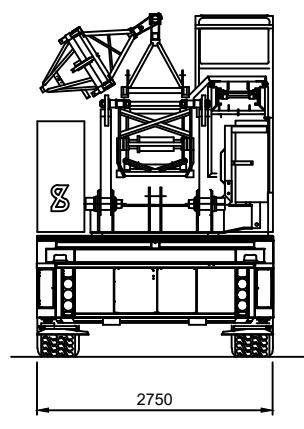
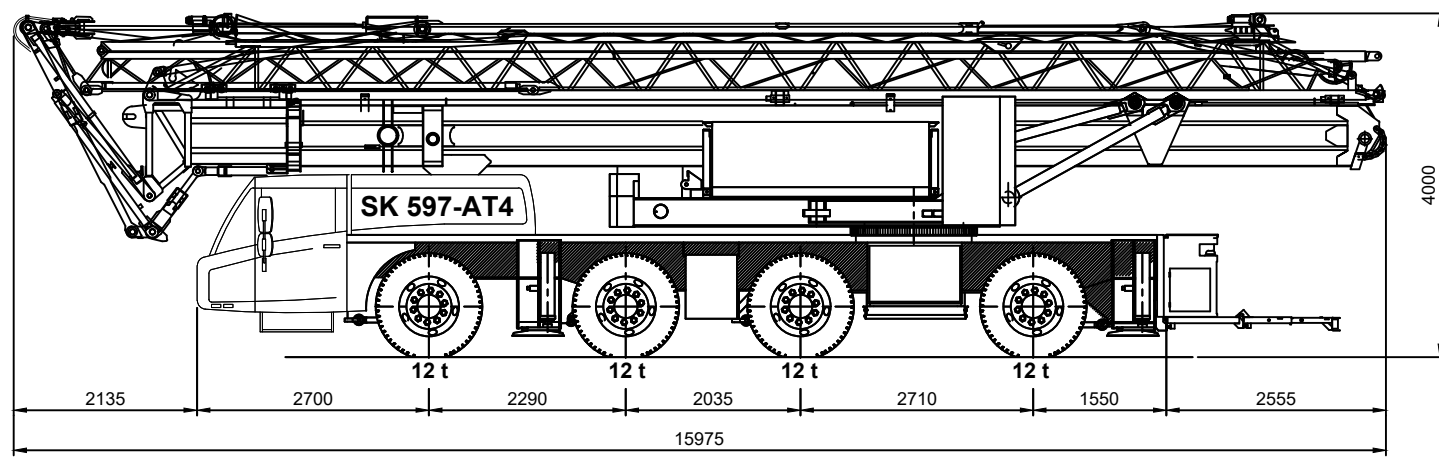
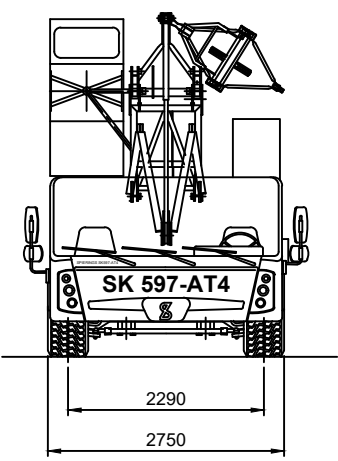
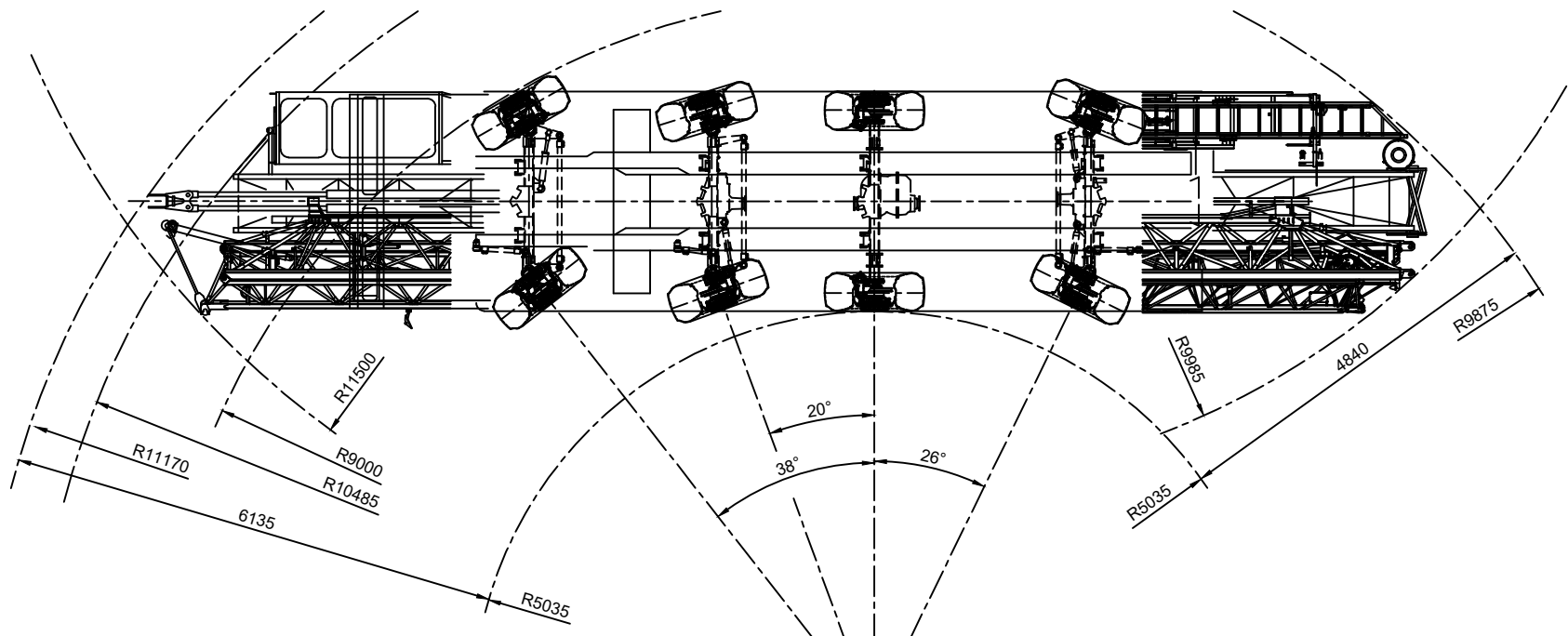
Year of construction:

Lifting chart outrigger support base 6,925 m x 7,0 m



Lifting chart outrigger support base 6,925 m x 5,85 m





SPIERINGS HYDRAULIC FOLDING CRANE

SK597 - AT4

SPIERINGS
MOBILE CRANES

Merwedestraat 15
5347 KZ Oss NL
Tel. +31 (0)412-626964
www.spieringscranes.com
84-00597102

Overall weight: 48000 kg

Specifications subject to modifications

SPIERINGS

HYDRAULIC FOLDING CRANE

SK 597 - AT4

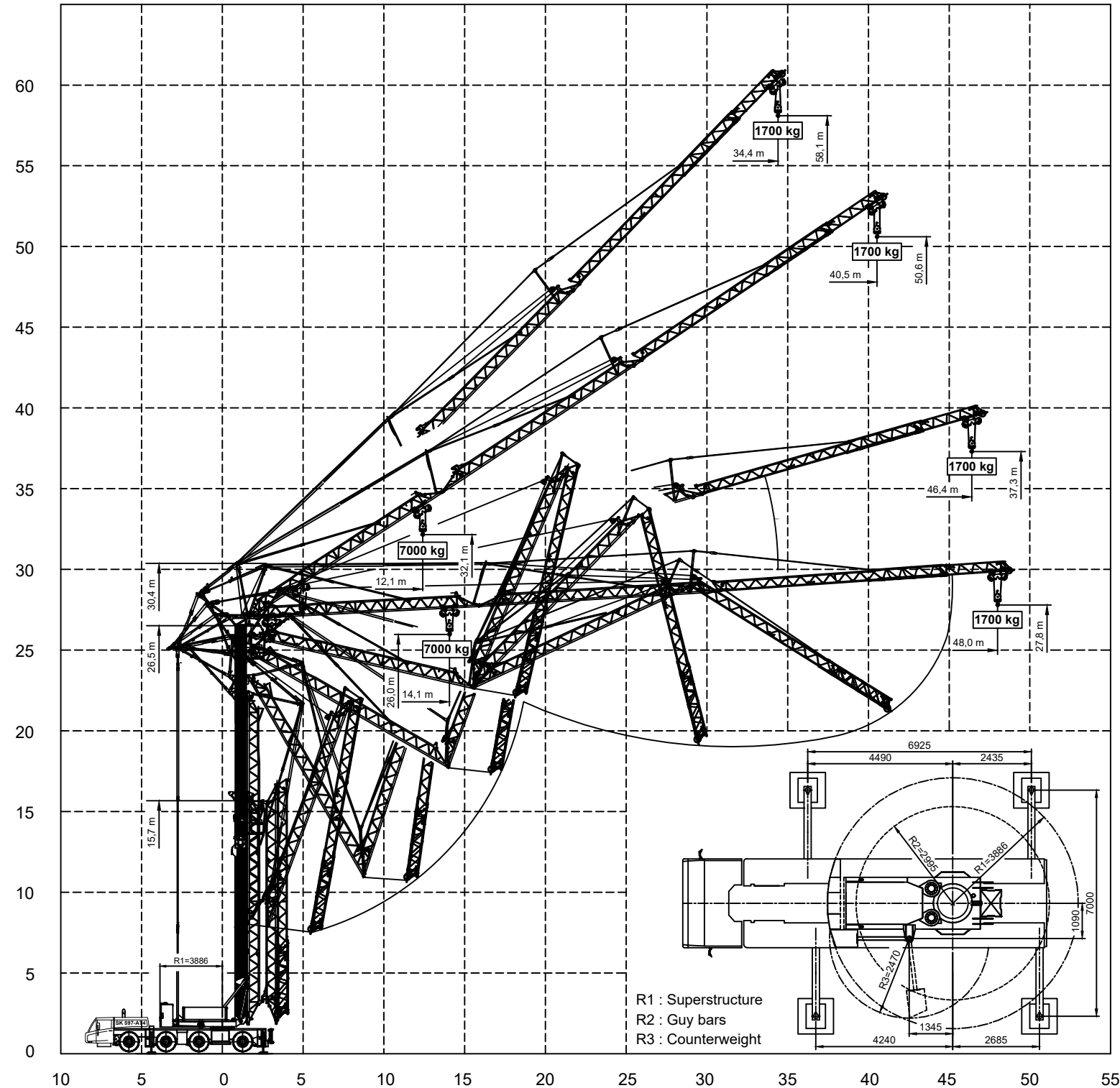
Erection procedure of the crane

- Max. outrigger force : 360 kN
- Outrigger support pads : 750x600 mm
- Ground pressure : 0,80 N/mm²
- Jib can be unfolded through 360°
- Operating temperature range
from -15°C till +40°C
- Luffing the jib 30° can be controlled from
the crane cabin or remote control
- Outrigger support plates : 1100x1100 mm
- Surface : 1,21 m²
- Ground pressure : 0,30 N/mm²

Hook height (m)

R1 : Superstructure
R2 : Guy bars
R3 : Counterweight

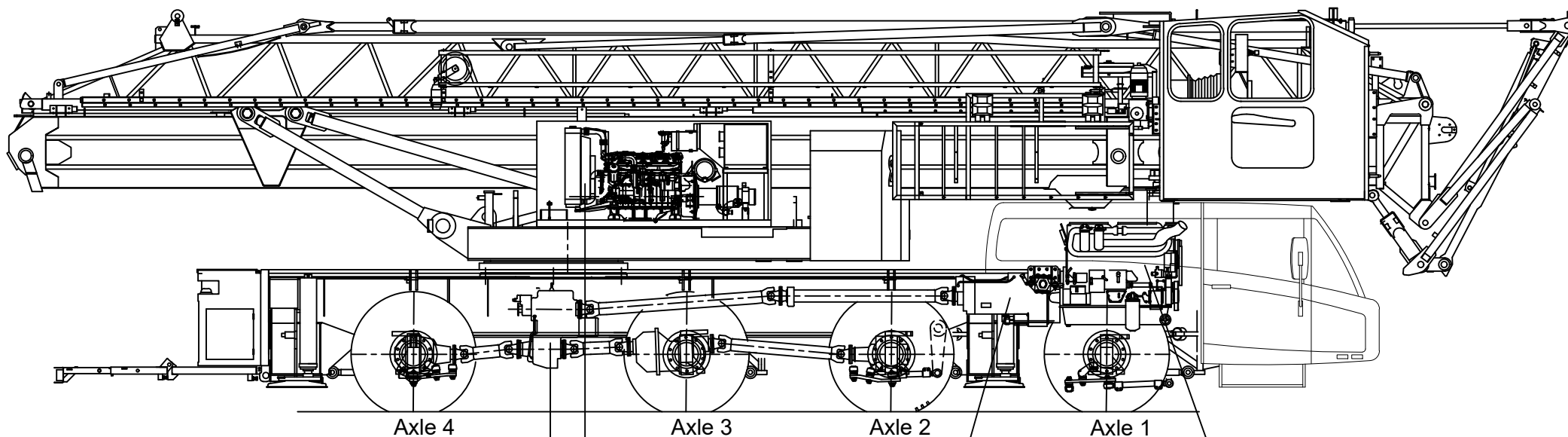
Radius (m)



SPIERINGS
MOBILE CRANES

Merwedestraat 15
5347 KZ Oss NL
Tel. +31 (0)412-697777
www.spieringscranes.com

84-00597103



Transfer box:

ZF VG2001/396

Road gear $i=0,89$

Off road gear $i=1,54$

Crane diesel engine:

Caterpillar C3.6 Stage V

Power: 100 kW (2000 rpm)

Torque: 550 Nm (1500 rpm)

Gearbox:

ZF Traxon 12TX2611 SO

Automatic + intarder

Dry plate clutch

Carrier diesel engine:

DAF MX11-330 EURO VI (10,8 ltr)

Power: 330 kW (1600 rpm)

Torque: 2300 Nm (900-1125 rpm)

Axle 1 : Steer axle

Axle 2 : Steer drive axle (end reduction $i=6,35$)

Axle 3 : Non steered drive axle (end reduction $i=6,35$)

Axle 4 : Steer drive axle (end reduction $i=6,35$)

Kessler-axles with disc brakes

Tyres

: 445/65 R22,5 or 445/75 R22,5

Suspension

: Hydro-pneumatic on all axles

Stroke suspension cylinder

: 247 mm

Max. speed carrier

: 80 or 83 km/h

Min. speed carrier (engine at 1000 rpm)

: 1,6 km/h

Overall weight

: 48.000 kg

Drive train Spierings Folding Crane SK597-AT4

SPIERINGS
MOBILE CRANES

Merwedestraat 15

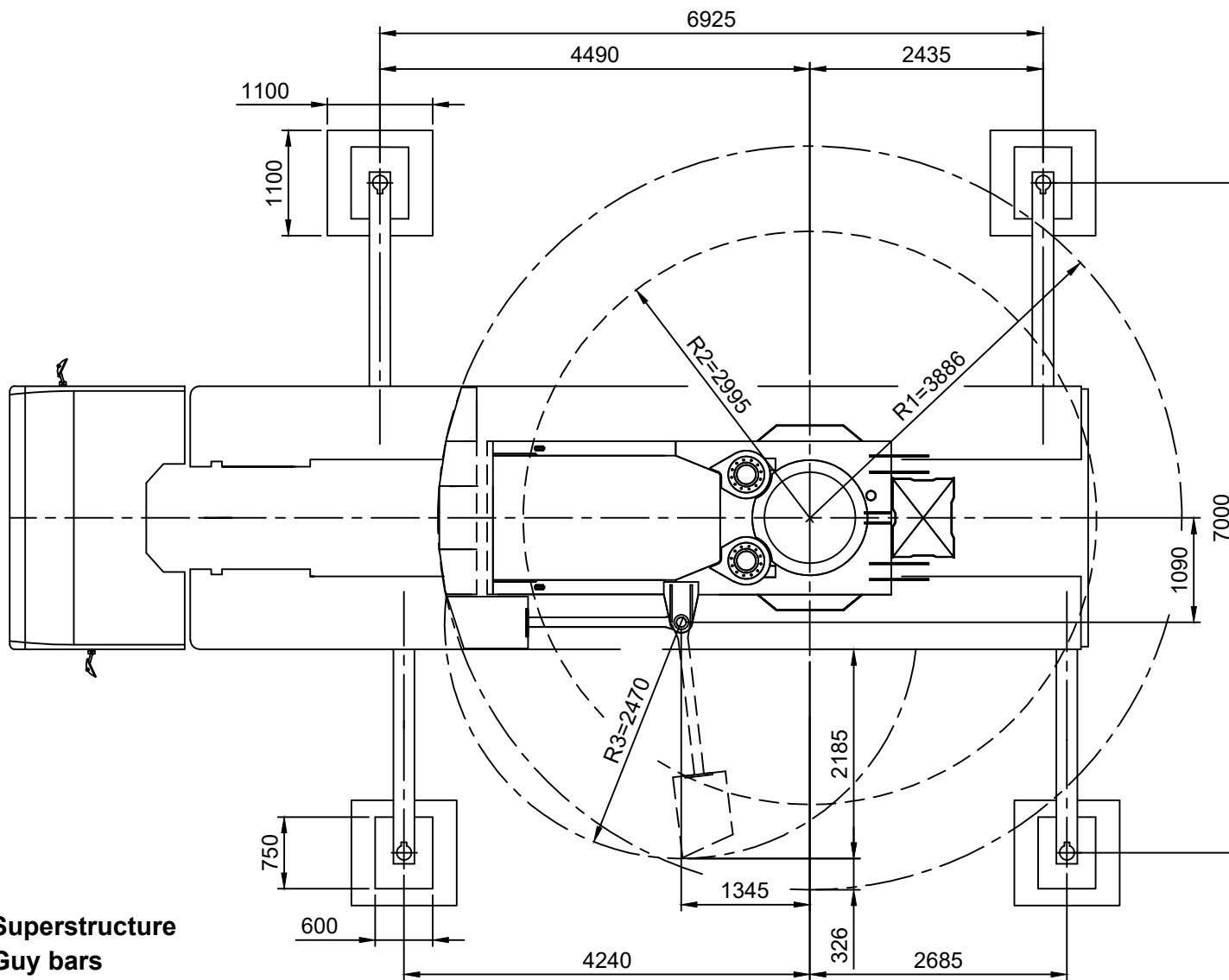
5347 KZ Oss NL

Tel. +31 (0)412-626964

www.spieringscranes.com

84-00597106

SPIERINGS
HYDRAULIC FOLDING CRANE
SK 597 - AT4



R1 : Superstructure
R2 : Guy bars
R3 : Counterweight

Outrigger support base	
Max. outrigger force	360 kN
Outrigger support pads	750x600 mm
Ground pressure	0,80 N/mm ²
Outrigger support plates	1100x1100 mm
Surface	1,21 m ²
Ground pressure	0,30 N/mm ²

SPIERINGS
MOBILE CRANES

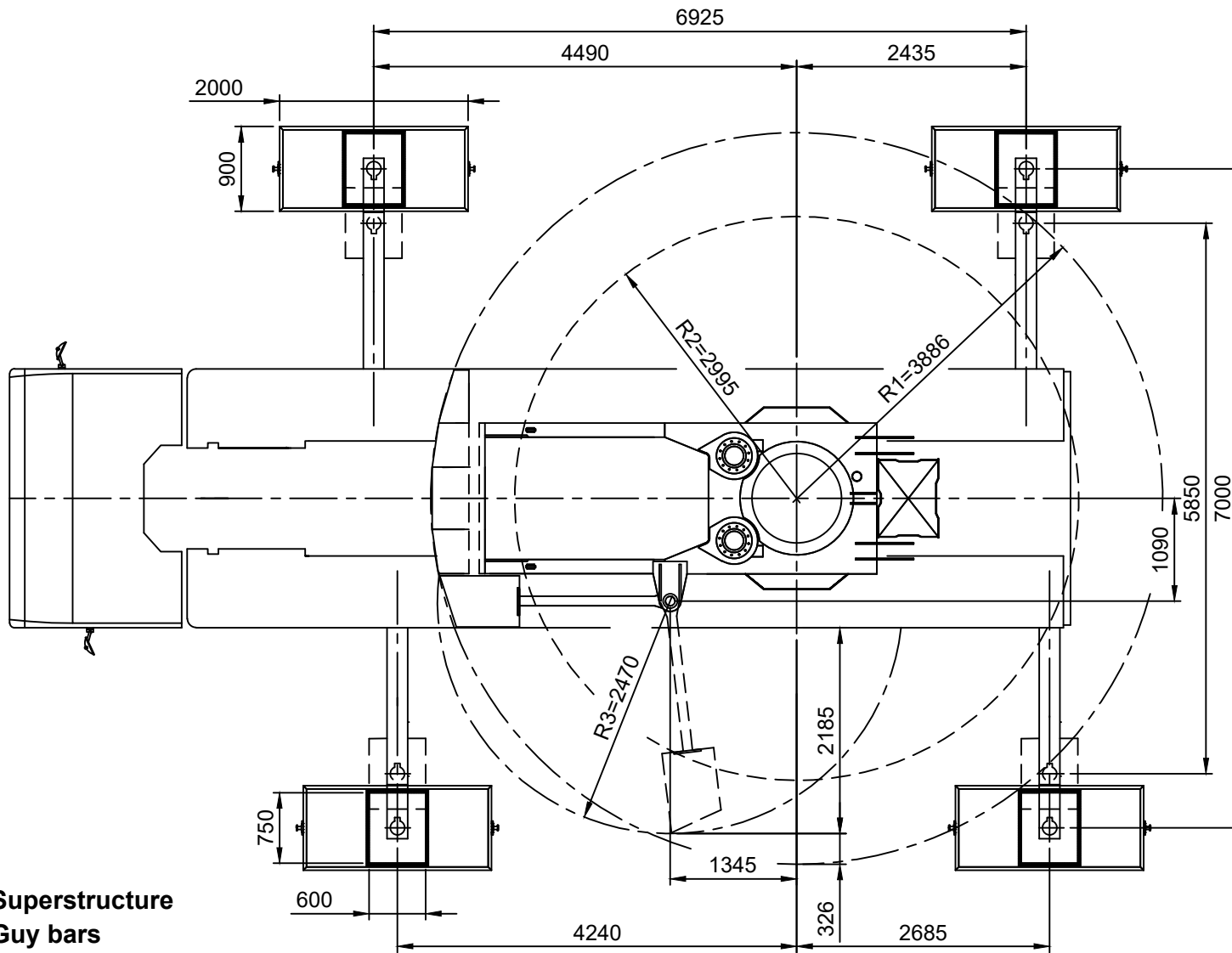
Merwedestraat 15
 5347 KZ Oss NL
 Tel. +31 (0)412-697777
www.spieringscranes.com

84-00597107-1

SPIERINGS

HYDRAULIC FOLDING CRANE

SK 597 - AT4



- R1 : Superstructure
- R2 : Guy bars
- R3 : Counterweight

Outrigger support base

Max. outrigger force	360 kN
Outrigger support pads	750x600 mm
Ground pressure	0,80 N/mm ²
Outrigger support plates	2000x900 mm
Surface	1,8 m ²
Ground pressure	0,20 N/mm ²

SPIERINGS
MOBILE CRANES

Merwedestraat 15
5347 KZ Oss NL
Tel. +31 (0)412-697777
www.spieringscranes.com

84-00597107-2

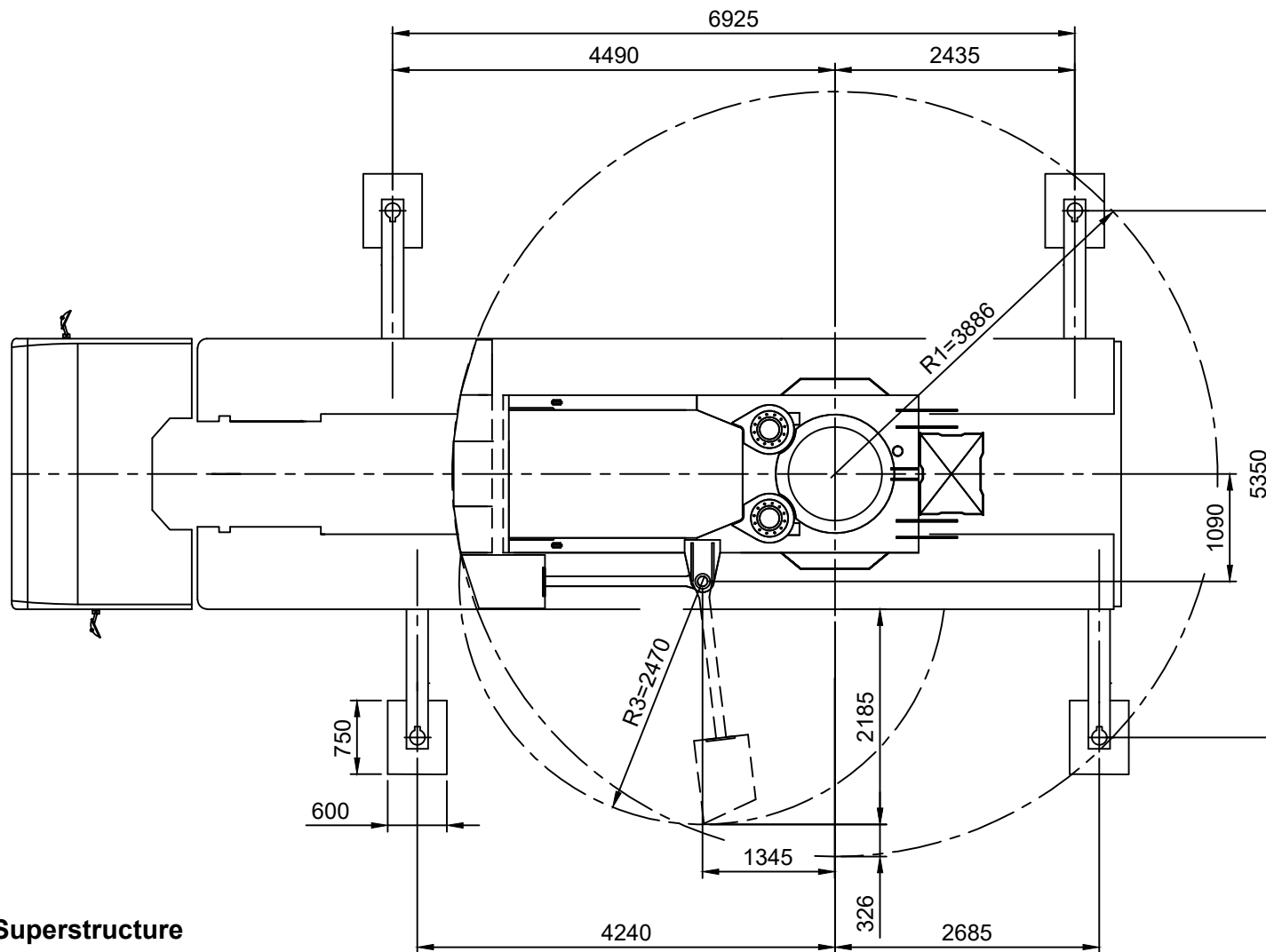
SPIERINGS

HYDRAULIC FOLDING CRANE

SK 597 - AT4

Outrigger support base

Outrigger width 5350 only to be used if crane is not fully erected.



R1 : Superstructure
R3 : Counterweight

SPIERINGS
MOBILE CRANES

Merwedestraat 15
5347 KZ Oss NL
Tel. +31 (0)412-697777
www.spieringscranes.com

84-00597107-3